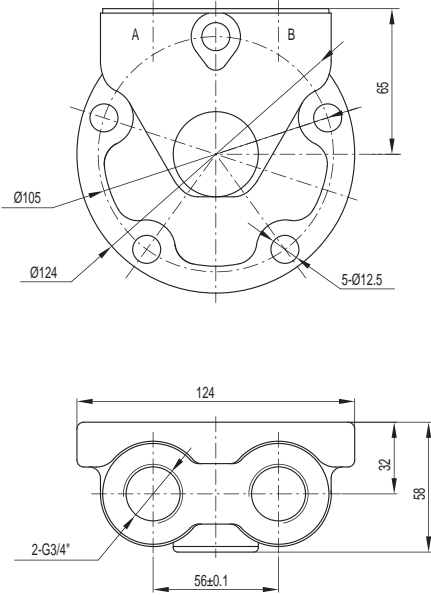
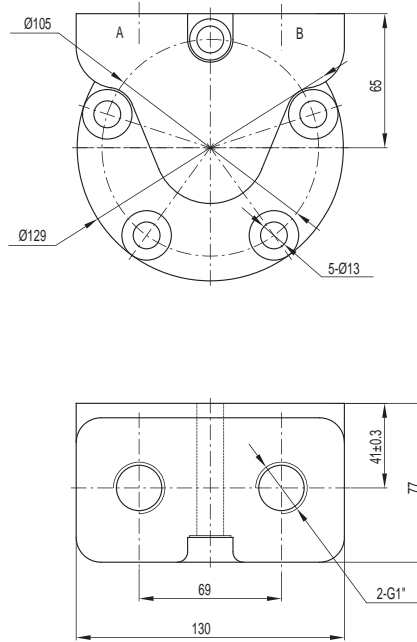


# 配流器种类 / Types distributor

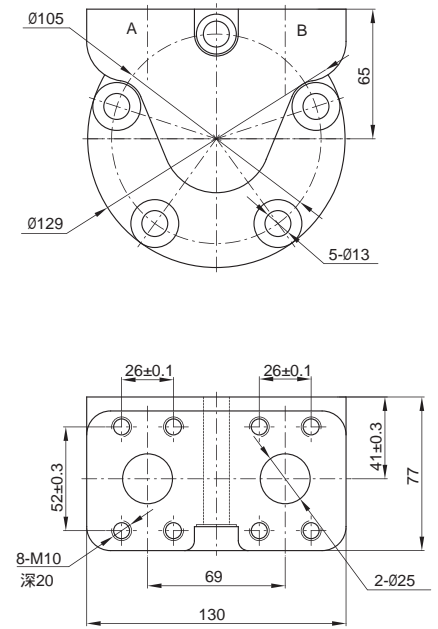
◆ D31 通油盘  
Oil Through Plate



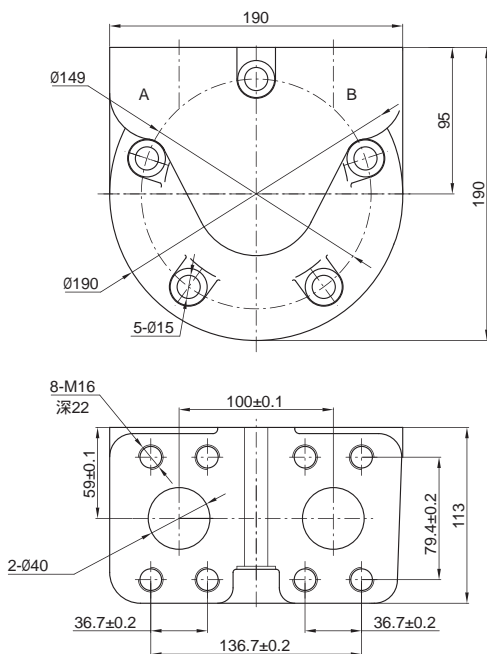
◆ D40 通油盘  
Oil Through Plate



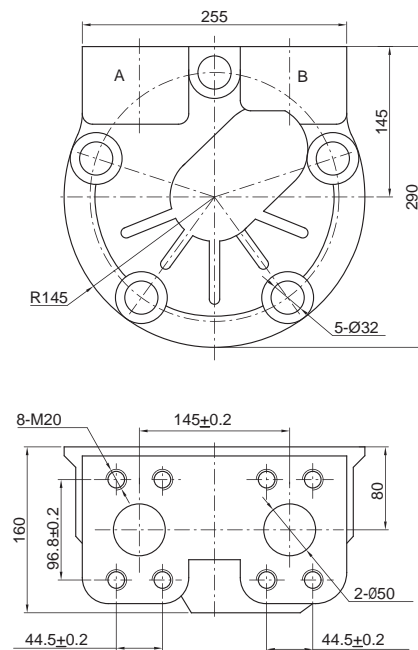
◆ D47 通油盘  
Oil Through Plate



◆ D90 通油盘 / Oil Through Plate

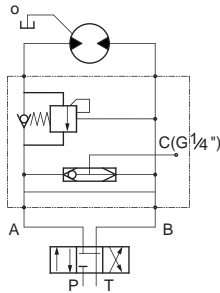
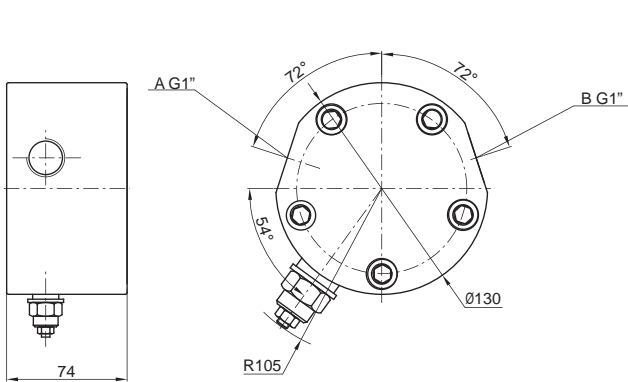


◆ D250 通油盘 / Oil Through Plate

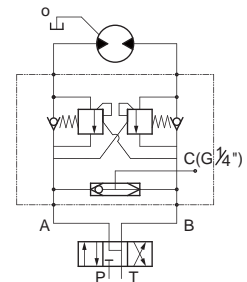
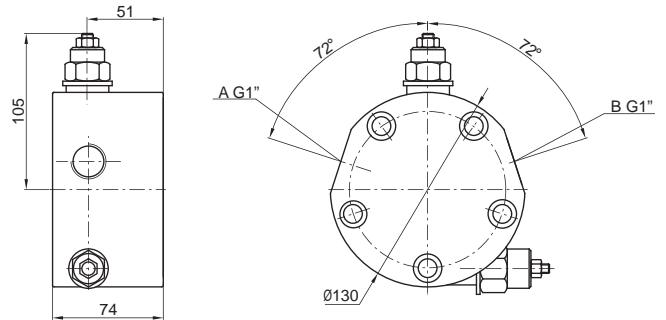


## 配流器种类 / Types distributor

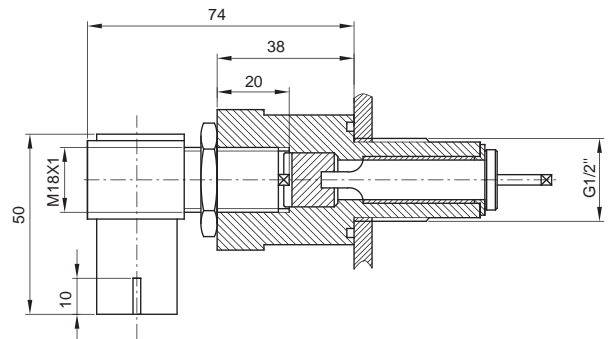
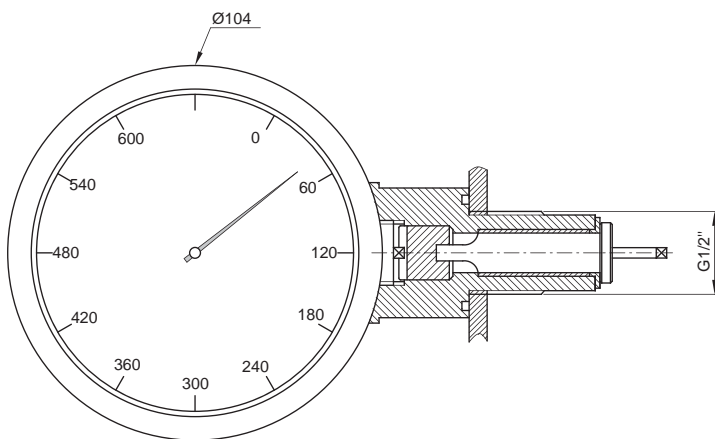
- ◆ D501 梭阀带单向平衡阀及高压梭阀  
D501 Shuttle Valve with One-Way Balance Valve  
High Pressure



- ◆ D503 带双向平衡阀及高压梭阀  
D503 Shuttle Valve with Two-Way Balance Valve &  
High Pressure



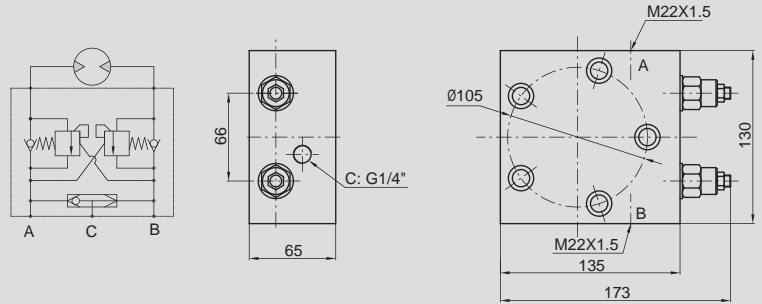
- ◆ 配流器上安装测速装置 / Speed Measuring Equipment is Installed on Distributor



## 配流器种类 / Types distributor

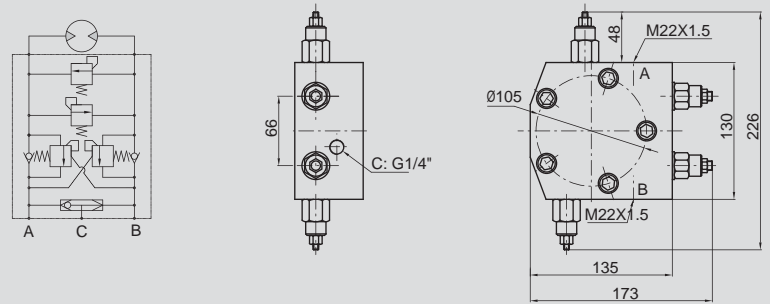
### ◆ D60201

- 双向平衡阀
- 高压梭阀
- 最高设定压力 35MPa
- 最大流量 60L/min
- Two-way balance valve
- High pressure shuttle valve
- Max setting pressure 35MPa
- Max flow 60L/min



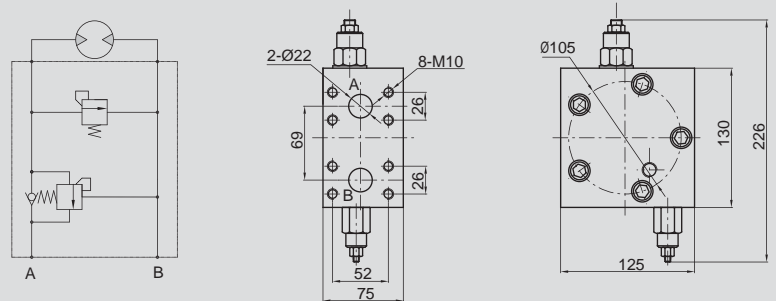
### ◆ D60221

- 双向过载阀, 双向平衡阀
- 高压梭阀
- 最高设定压力 35MPa
- 最大流量 60L/min
- Two-way overload valve, two-way balance valve
- High pressure shuttle valve
- Max setting pressure 35MPa
- Max flow 60L/min



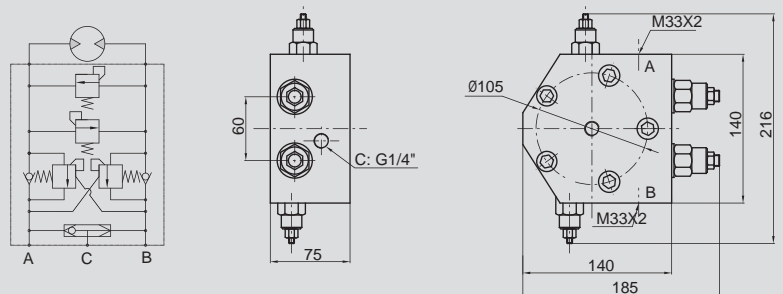
### ◆ D12011

- 单向过载阀, 单向平衡阀
- 最高设定压力 35MPa
- 最大流量 120L/min
- One-way overload valve, one-way balance valve
- Max setting pressure 35MPa
- Max flow 120L/min



### ◆ D120221

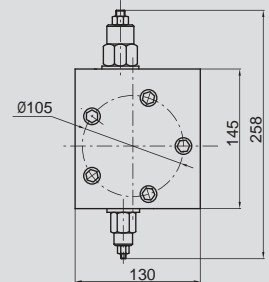
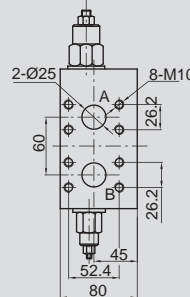
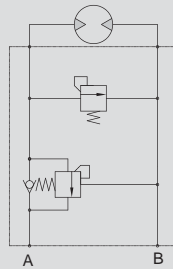
- 双向过载阀, 双向平衡阀
- 高压梭阀
- 最高设定压力 35MPa
- 最大流量 120L/min
- Two-way balance valve
- High pressure shuttle valve
- Max setting pressure 35MPa
- Max flow 120L/min



## 配流器种类 / Types distributor

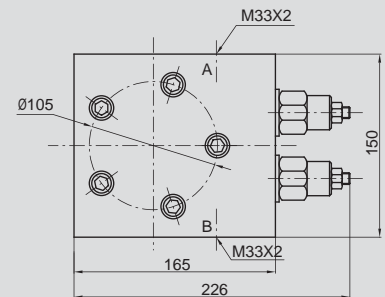
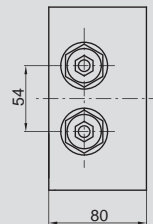
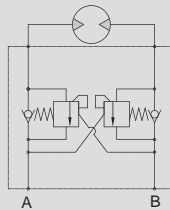
### ◆ D24011

- 单向过载阀, 单向平衡阀
- 最高设定压力 35MPa
- 最大流量 240L/min
- One-way overload valve, one-way balance valve
- Max setting pressure 35MPa
- Max flow 240L/min



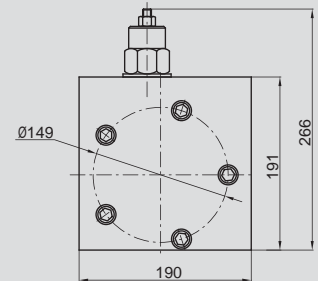
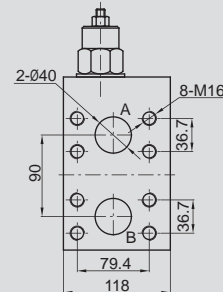
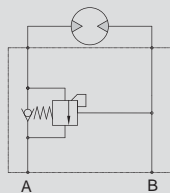
### ◆ D2402

- 双向平衡阀
- 最高设定压力 35MPa
- 最大流量 240L/min
- Two-way balance valve
- Max setting pressure 35MPa
- Max flow 240L/min



### ◆ D4801

- 单向平衡阀
- 最高设定压力 35MPa
- 最大流量 480L/min
- One-way balance valve
- Max setting pressure 35MPa
- Max flow 480L/min



### ◆ D480101

- 单向平衡阀
- 高压梭阀
- 最高设定压力 35MPa
- 最大流量 480L/min
- One-way balance valve
- High pressure shuttle valve
- Max setting pressure 35MPa
- Max flow 480L/min

