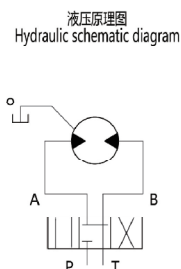
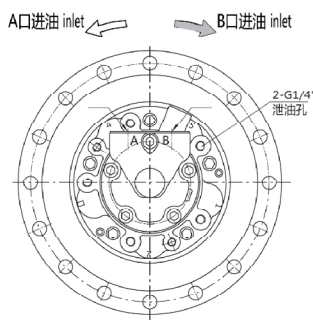
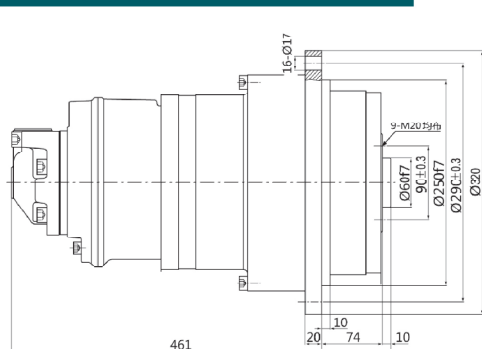
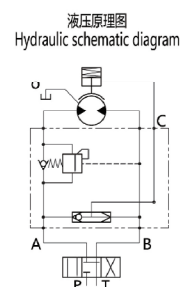
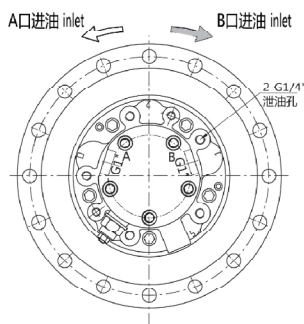
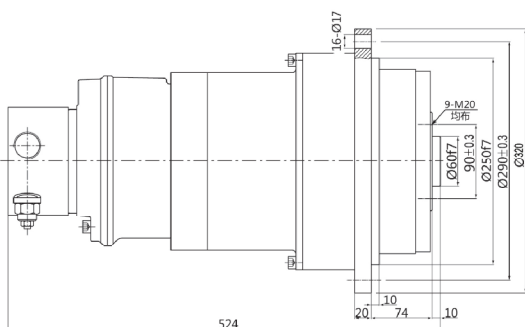


GFR2.53 液压传动装置 GFR2.53 Hydraulic Transmission Devices

◆无制动器 / Without brake

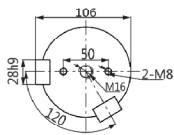
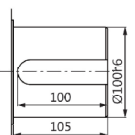


◆带制动器 (外置式) / With brake and external installation

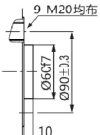


◆输出轴尺寸 / Shaft dimensions

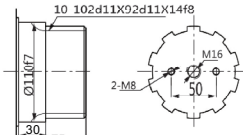
B型平键输出 Cylindrical B



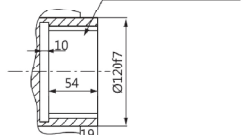
C型螺纹法兰输出 Threaded flange C



F型矩形花键输出 Rectangle splined F



I型内花键输出 Rectangle internal spline I



型号 Model	总排量 (ml/r) Total displacement	额定扭矩 (N.m) Rated torque		转速范围 Speed	总效率 Total efficiency	液压马达型号 Hydraulic motor	行星减速器型号 Poanetary gearbox	制动器型号 Brake
		16MPa	20MPa					
GFR2.53-1700	1720	3864	4829	0-19	0.88-0.9	GM05-90	C2.53-20	Z2.5
GFR2.53-2300	2300	5159	6448	0-19	0.88-0.9	GM05-110	C2.53-20	Z2.5
GFR2.53-2600	2580	5778	7223	0-19	0.88-0.9	GM05-130	C2.53-20	Z2.5
GFR2.53-3000	3020	6758	8448	0-19	0.88-0.9	GM05-150	C2.53-20	Z2.5
GFR2.53-3300	3320	7434	9293	0-19	0.88-0.9	GM05-170	C2.53-20	Z2.5
GFR2.53-3800	3820	8560	9856	0-19	0.88-0.9	GM05-200	C2.53-20	Z2.5

注：外形联结尺寸及输出轴有特殊要求，请与我们联系 / Note: Please contact us if there are any requirements from customer