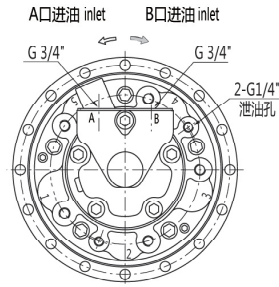
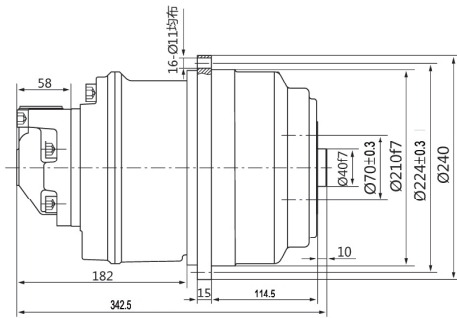


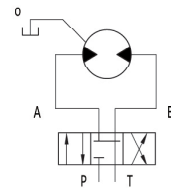
GFR2.5 液压传动装置

GFR2.5 Hydraulic Transmission Devices

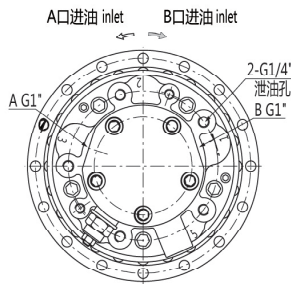
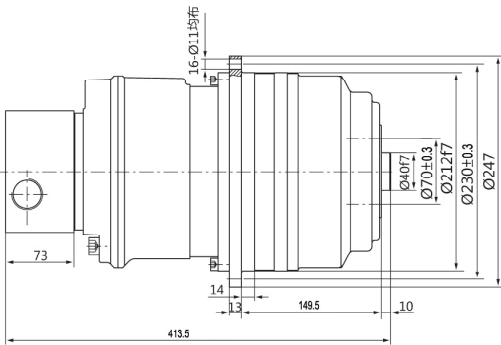
◆无制动器 / Without brake



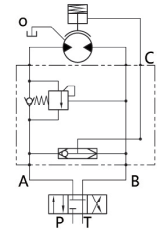
液压原理图
Hydraulic schematic diagram



◆带制动器 (内置式) / With brake and internal installation

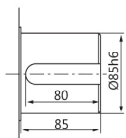


液压原理图
Hydraulic schematic diagram

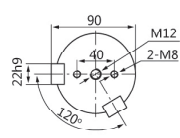


◆输出轴尺寸 / Shaft dimensions

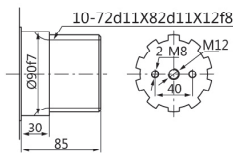
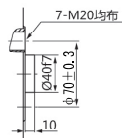
B型平键输出 Cylindrical B



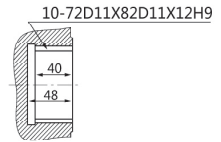
C型螺纹法兰输出 Threaded flange C



F型矩形花键输出 Rectangle splined F



I型内花键输出 Rectangle internal spline I



型号 Model	总排量 (ml/r) Total displacement	额定扭矩 (N.m) Rated torque	转速范围 Speed	总效率 Total efficiency	液压马达型号 Hydraulic motor	行星减速器型号 Poanetary gearbox	制动器型号 Brake
		20MPa					
GFR2.5-550	575	1630	0-100	0.88-0.9	GM05-110	C2.5-5	Z2.5
GFR2.5-650	645	1826	0-100	0.88-0.9	GM05-130	C2.5-5	Z2.5
GFR2.5-750	755	2136	0-100	0.88-0.9	GM05-150	C2.5-5	Z2.5
GFR2.5-850	830	2350	0-100	0.88-0.9	GM05-170	C2.5-5	Z2.5
GFR2.5-950	955	2706	0-100	0.88-0.9	GM05-200	C2.5-5	Z2.5
GFR2.5-1050	1050.5	2976	0-100	0.88-0.9	GM05-200	C2.5-5.5	Z2.5

注：外形联结尺寸及输出轴有特殊要求，请与我们联系 / Note: Please contact us if there are any requirements from customer