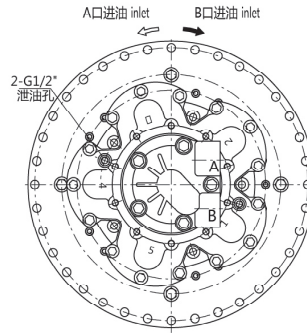
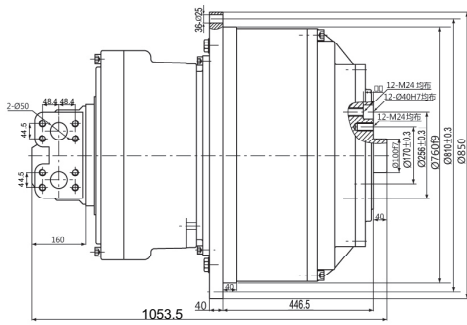


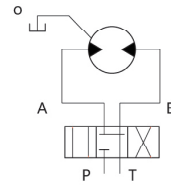
GFR79 液压传动装置

GFR79 Hydraulic Transmission Devices

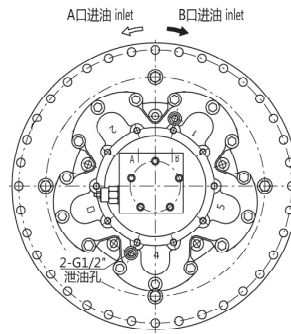
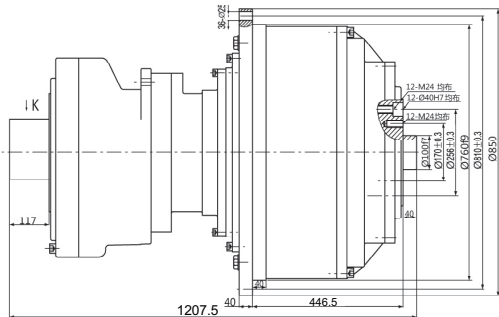
◆ 无制动器 / Without brake



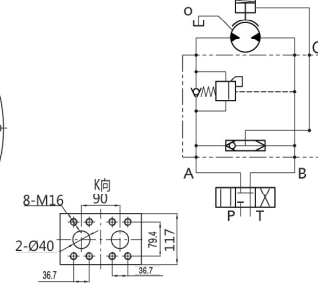
液压原理图
Hydraulic schematic diagram



◆ 带制动器 (外置式) / With brake and external installation

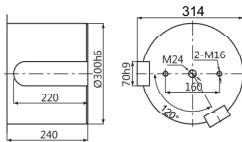


液压原理图
Hydraulic schematic diagram

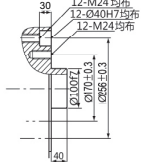


◆ 输出轴尺寸 / Shaft dimensions

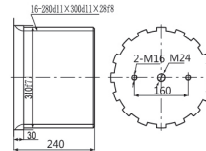
B型平键输出 Cylindrical B



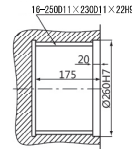
C型螺纹法兰输出 Threaded flange C



F型矩形花键输出 Rectangle splined F



型内花键输出 Rectangle internal spline I



型号 Model	总排量 (ml/r) Total displacement	额定扭矩 (N.m) Rated torque		转速范围 Speed	总效率 Total efficiency	液压马达型号 Hydraulic motor	行星减速器型号 Poanetary gearbox	制动器型号 Brake
		16MPa	20MPa					
GFR79-40000	40140	89830	112288	0-9	0.88-0.9	GM7-2000	C79-20	Z7
GFR79-50000	50520	113203	141504	0-9	0.88-0.9	GM7-2500	C79-20	Z7
GFR79-60000	59700	133782	167228	0-8	0.88-0.9	GM7-3000	C79-20	Z7
GFR79-66000	65800	147277	182623	0-8	0.88-0.9	GM7-3300	C79-20	Z7
GFR79-72000	72220	161638		0-7	0.88-0.9	GM7-3600	C79-20	Z7
GFR79-83000	83580	187290		0-6	0.88-0.9	GM7-3000	C79-28	Z7

注：外形联结尺寸及输出轴有特殊要求，请与我们联系 / Note: Please contact us if there are any requirements from customer